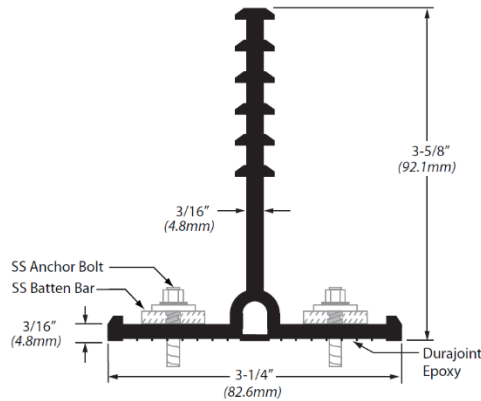




Retrofit/Post Applied Waterstop Kit Type 9RT TPER



Width: 3-1/4" Thickness: 3/16" Height: 3-5/8"

**Stainless Steel Batten Bars and Fasteners Included
Durajoint Gel Epoxy Recommended and Sold Separately**

Suggested Short Form Specification:

All waterstop shall be **Durajoint® TPER Waterstop**. It shall be an extrusion of Thermoplastic Vulcanizate which meets or exceeds the requirements of the Army Corps of Engineers (USACE) and American Society for Testing Materials (ASTM) specifications. Types and dimensions of waterstop shall be those shown in the project specifications. No substitutions or equals allowed.

Physical Properties	Test Method	Values
Tensile Strength	ASTM D412	2000 psi
Ultimate Elongation	ASTM D412	Min. 450%
Specific Gravity	ASTM D792	0.96 min.
Tear Resistance	ASTM D624	278 lbs./in.
Ozone Resistance	ASTM D1149	450 pphm
Low Temperature Brittleness	ASTM D746	No Cracking, Brittleness or Splitting at -70°F/-57°C
Hardness	ASTM D2240	83 Shore A ± 5
100% Modulus	ASTM D-638	1000 psi

American Made Veteran Owned

Waterstop • Forming Accessories • Rebar Supports • Mesh Supports • Prestressed Accessories

DCA CONSTRUCTION PRODUCTS, LLC

10421 Industrial Drive • Garretttsville, OH 44231 • (888) 833-8308 (Toll-Free) or (330) 527-4308 • Fax: (330) 527-2440